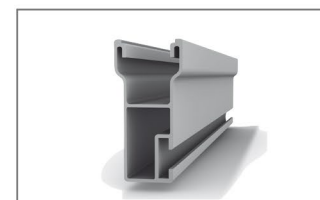
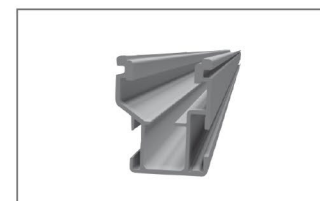
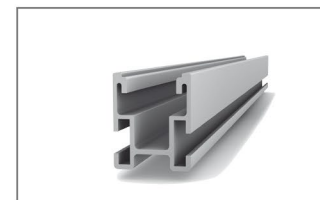
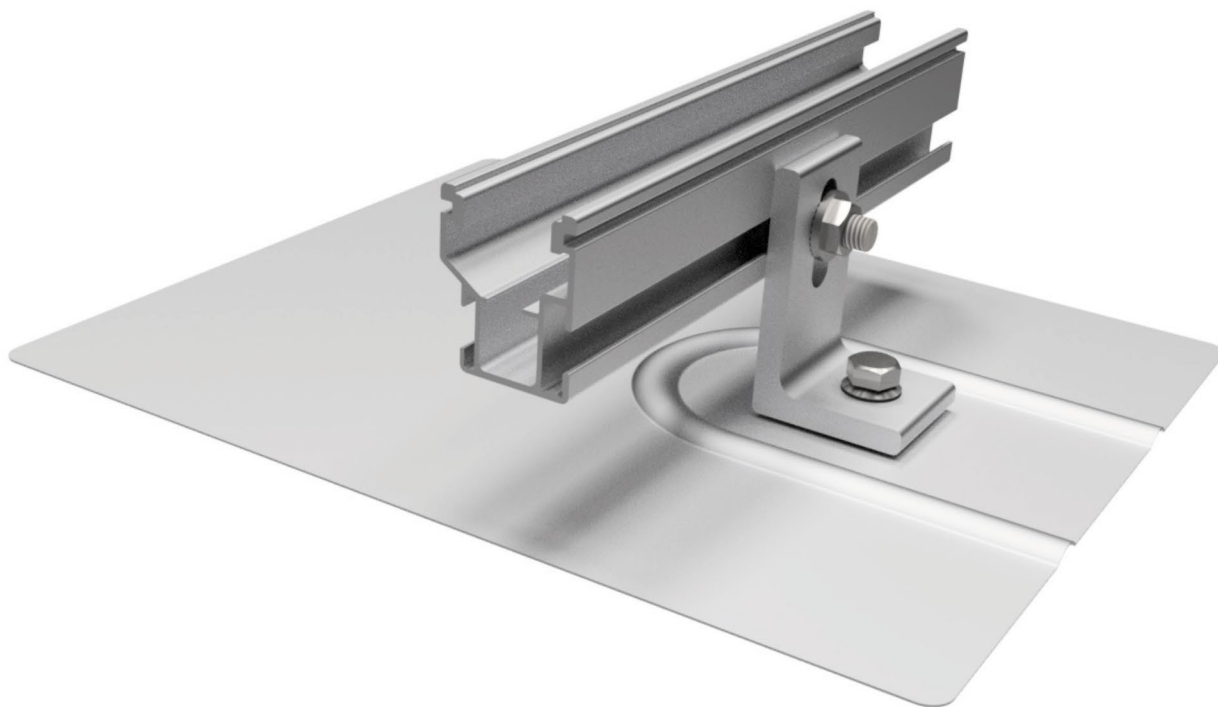




Mounting systems for solar technology



EVEREST SOLAR SYSTEMS
RESIDENTIAL ROOF SOLUTIONS
CROSSRAIL SYSTEM

Everest Solar Systems, LLC
3809 Ocean Ranch Blvd., Suite 111
Oceanside, CA 92056
Service-Hotline +1.760.301.5300
info@everest-solarsystems.com
www.everest-solarsystems.com

Product Sheet CrossRail System | US2 | 0216
Product images are for illustrative purposes only. Specifications are subject to change without notice. All sales of our products shall be subject to Everest Solar Systems terms and conditions, including the exclusive limited warranty set forth therein.

CROSSRAIL SYSTEM

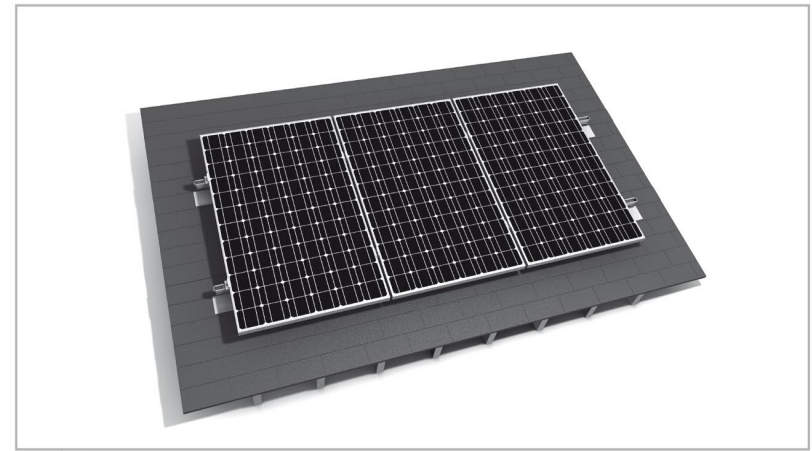


- ↪ High quality, German engineered system optimized for residential installation
- ↪ Everest M K2 mounting hardware simplifies module installation – fast, easy, and secure
- ↪ Easily integrates with third party roof attachment products, such as QuickMountPV
- ↪ L-foot provides adjustability and compatibility with common roof interfaces (Comp, Tile & Metal)
- ↪ No shingle cutting, won't void roof manufacturer's warranty
- ↪ 100% code-compliant, structural validation for all solar states
- ↪ Three rail sizes available to suit all structural conditions
- ↪ All components also available in dark
- ↪ Fast installation, minimal component count result in low total installed cost
- ↪ Simple to design using code compliant Everest Online Design Tool

Technical data



Applicable Roof Types	Composition shingle, tile, flat tile
Flexibility	Modular construction, suitable for any system size, height adjustable
PV modules	For all common module types
Module orientation	Portrait and landscape
Material	High corrosion resistance, stainless steel and high grade aluminum
Roof attachment	Screw connection into rafter
Structural validity	IBC compliant, stamped engineering letters available for all solar states
Warranty	12 years
System components	CrossRail 48, 48-S or 80, L-Foot, Mid and End Clamp Sets, Universal Mid and End Clamps, third-party roof attachment products such as QuickMountPV



CrossRail for Pitched Roofs



CrossRail with EverFlash



Bonding Mid and End Clamps

